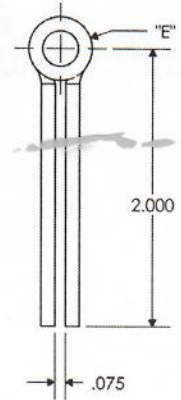
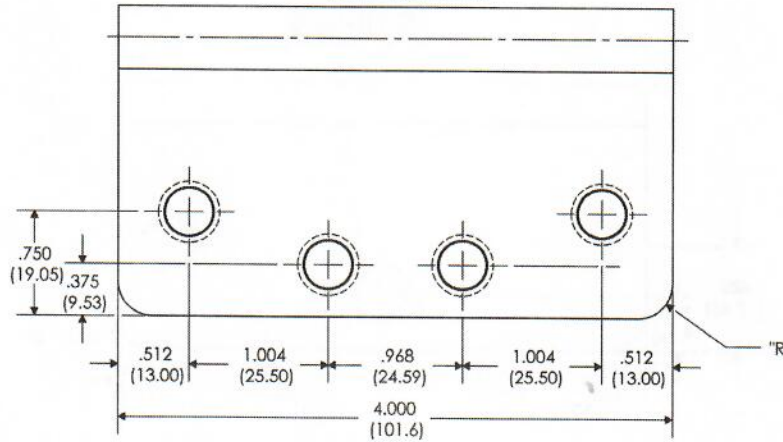




FULL MORTISE PLAIN BEARING

RPC
4" x 4"

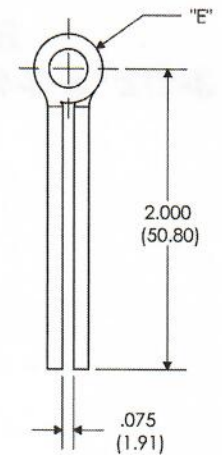
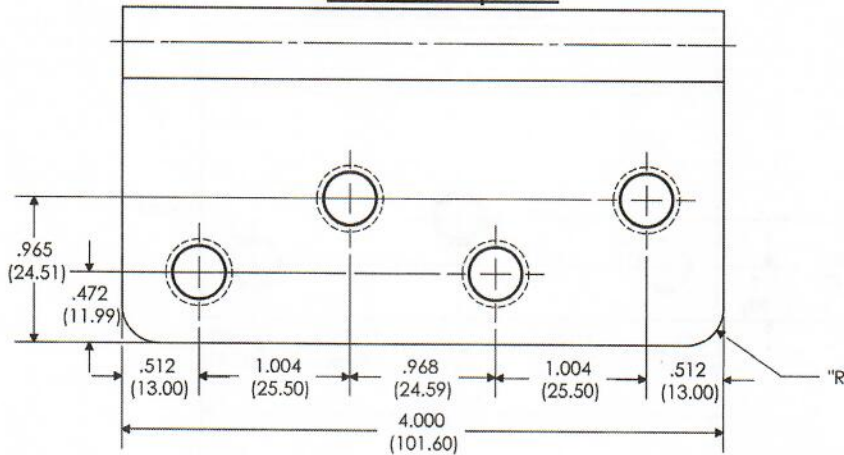
Template



L3

RP
4" x 4"

Non-Template



Part Number			Gauge of Metal	"E" Outside Dia.	"R" Corner Radius
Steel	Brass	Stainless			
RP81/ RPY81	RP21/ RPY21	RP51/ RPY51	.100"	.460"	1/4", 5/8", Square

NOTE:

- Bulk pack 80 pcs. per carton
- Screw size: PHMS - 10-24 x 1/2"
PHWS - 10 x 1"
PHMS - 12-24 x 1/2"
PHWS - 12 x 1-1/4"
- All hinges are ANSI template.

PBB, Inc.

World Class Hinges

1311 E. Philadelphia Street • Ontario • CA 91761 • USA

PBB reserves the right to make changes without notice.

Template: RP40/RPY40